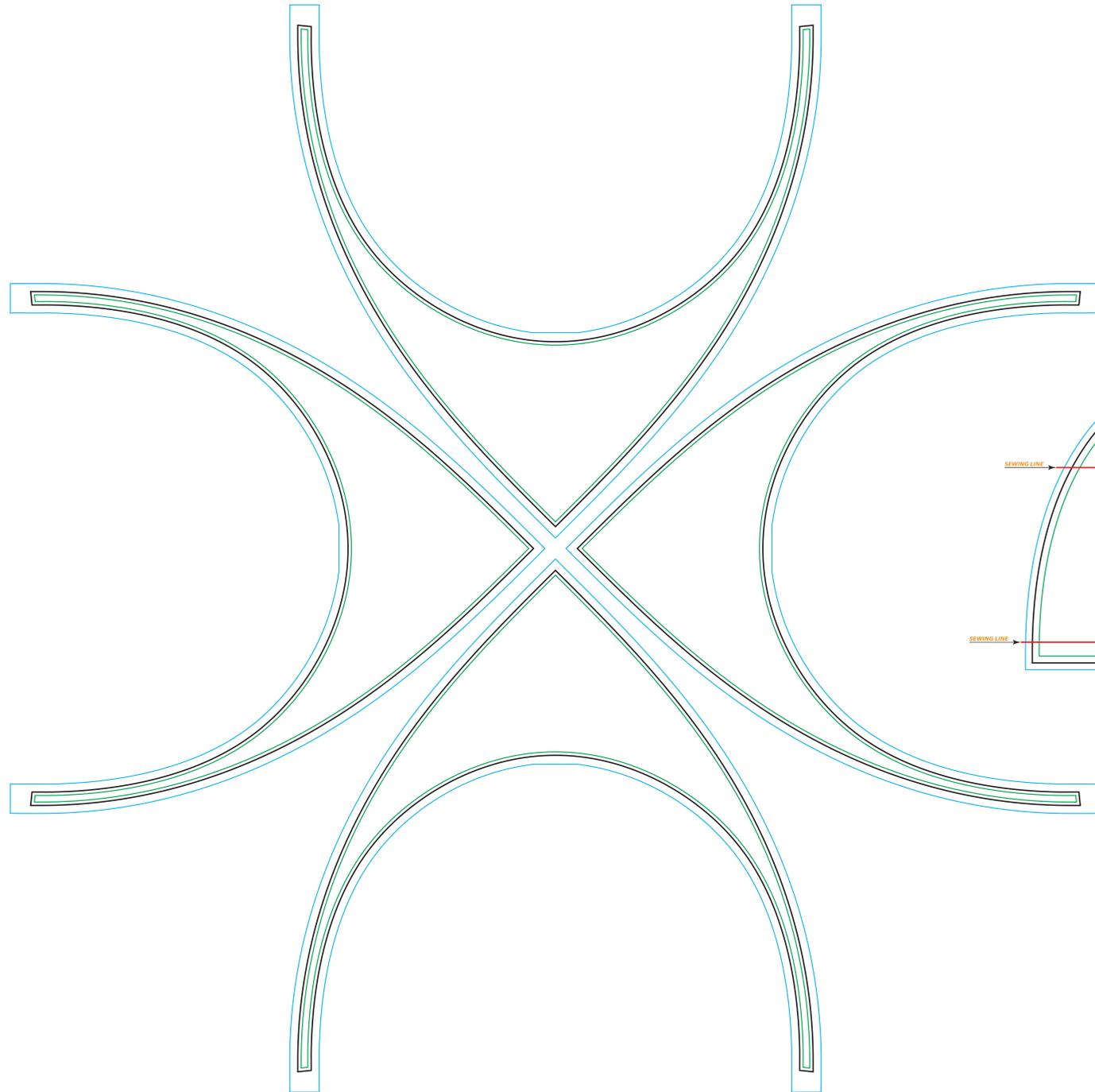


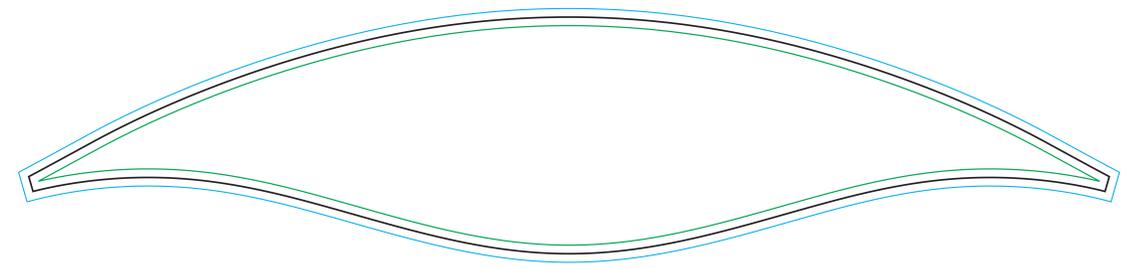
SCALE 10%  
OF ACTUAL SIZE

# AirDome 13'x13'

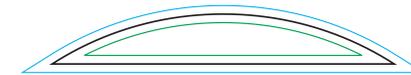
13x13 Top



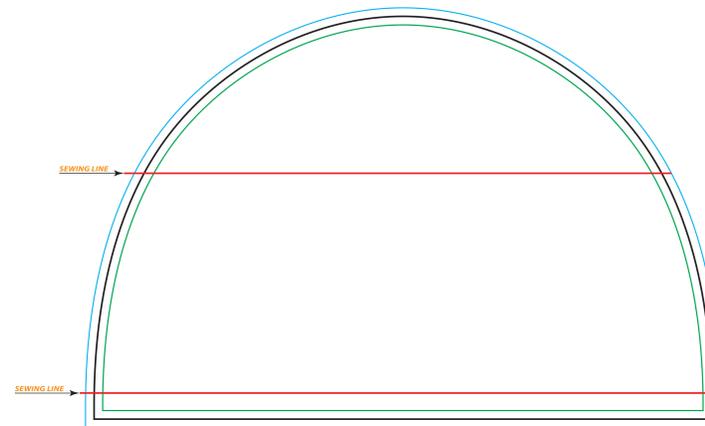
## AirDome Awnings



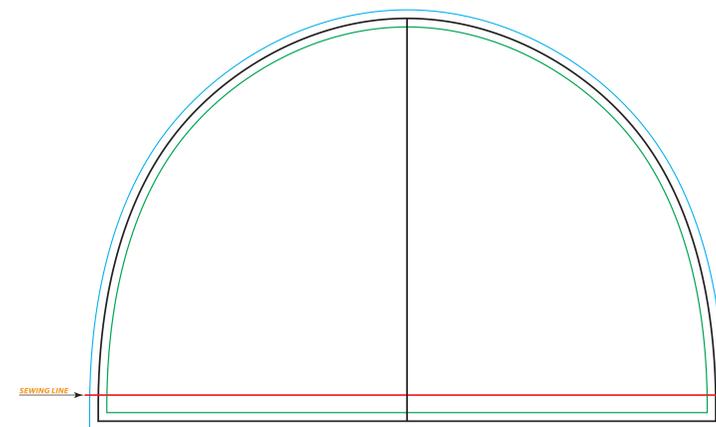
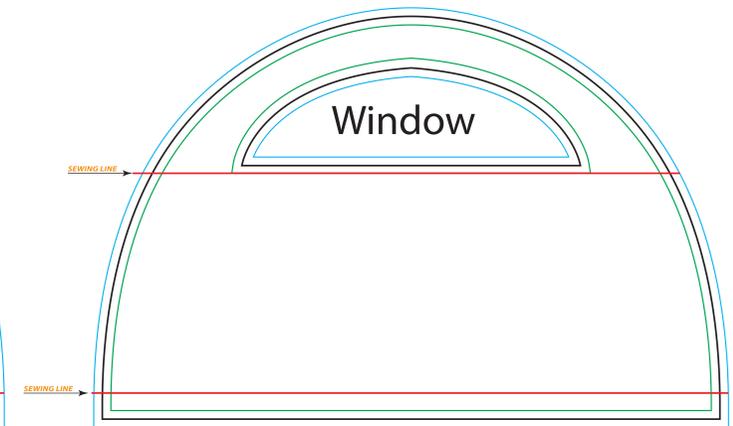
## AirDome Awnings Banners Template



## 13'Wall



## 13'Wall w/ Window



PMS C

PMS C

**Adobe Illustrator (Mac or PC)** - convert your fonts to outlines and save as native Illustrator format (ai). Artwork should be in only vector format. Artwork should be in CMYK.

**Adobe Photoshop (Mac or PC)** - rasterize your fonts and save files as .psd (if you have layers) (or need transparency). Will also accept Photoshop EPS formats. Image resolution should be 150 dpi at 100% size the artwork is to be printed at. (or 300 dpi and 1/2 the actual size to be printed)

- All fonts need to be outlines in order to avoid any defaulted text
- Digital imaging will be output in CMYK process
- Use ZIP compression for multiple files

Trim Line

Safe Guide

Bleed

Sewing line

\*sewing line can be adjusted, extra fees may apply