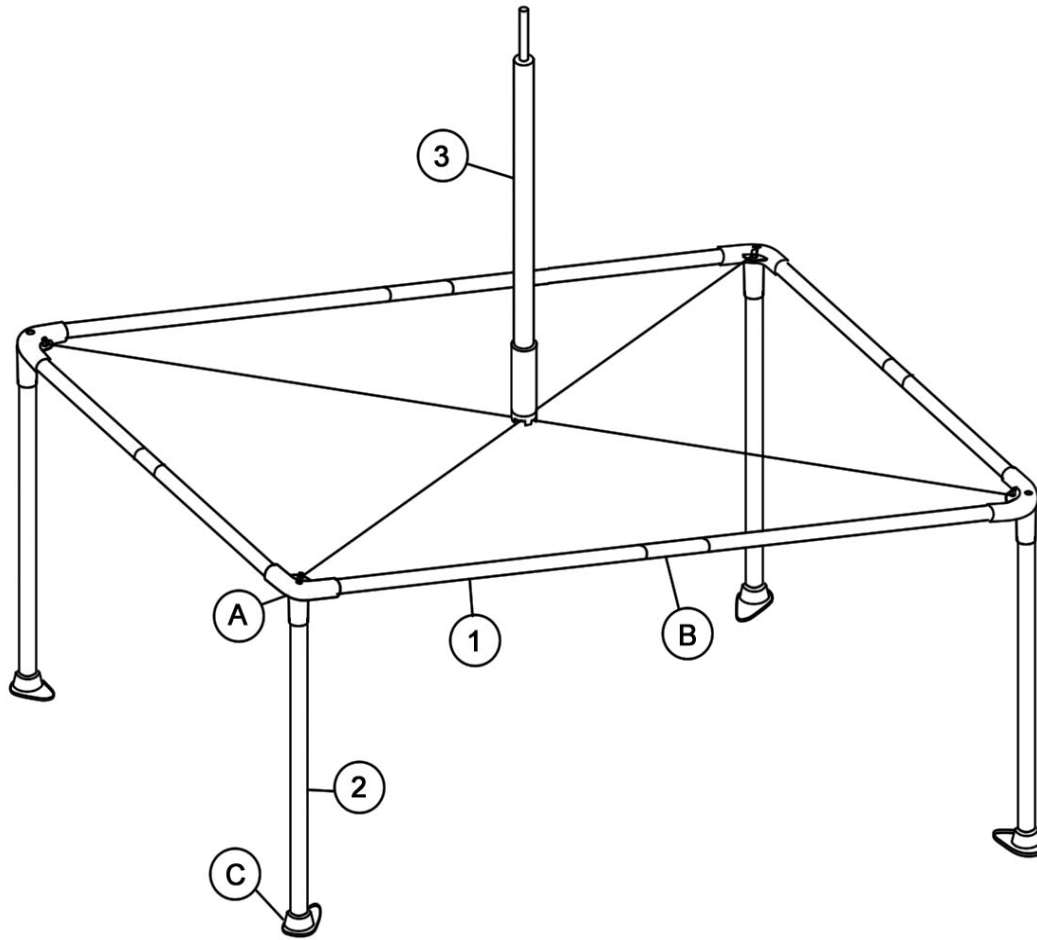

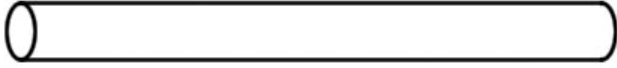
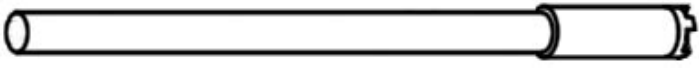





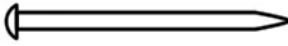
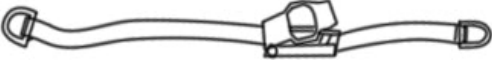
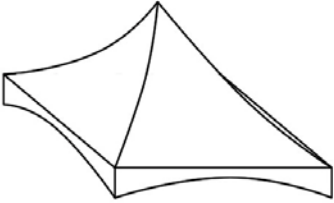
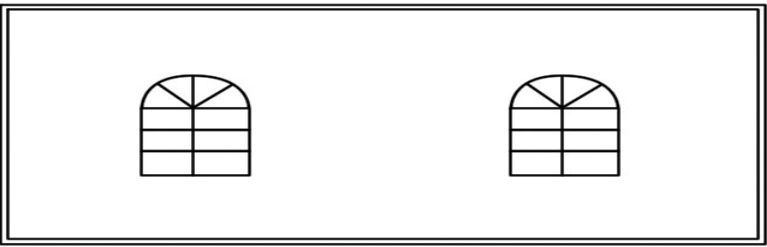
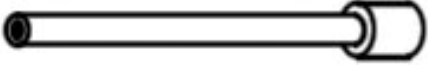


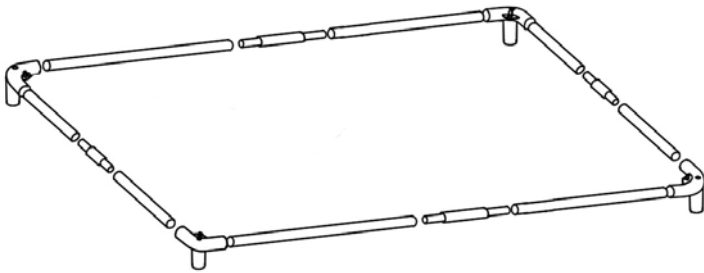
Marquee Tent 20'x20' Instruction



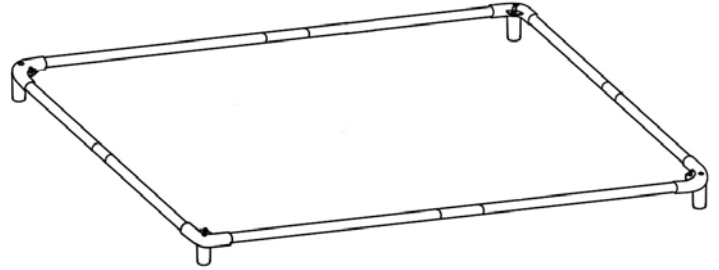
Part No.	Description	Picture	Quantity
1	Eave Pole		8
2	Leg Pole		4
3	Center Pole		1
A	Corner Joint		4
B	Sleeve		4
C	Foot pad		4
	Cross Cable		2
	Ratchet Rope		4
	Peg		8

	Ratchet Staple		4
	Roof		1
	Sidewall		4
	Flag Pole		1

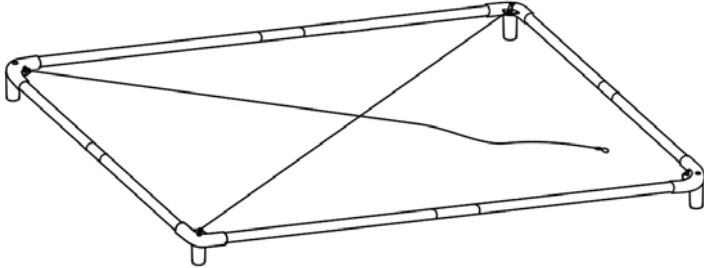
I: Lay all the parts on the ground as shown.



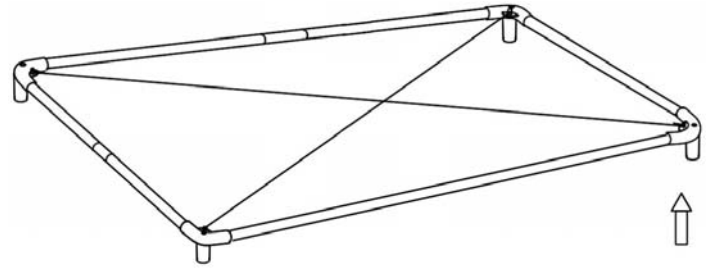
II: Put all the joints and poles together.



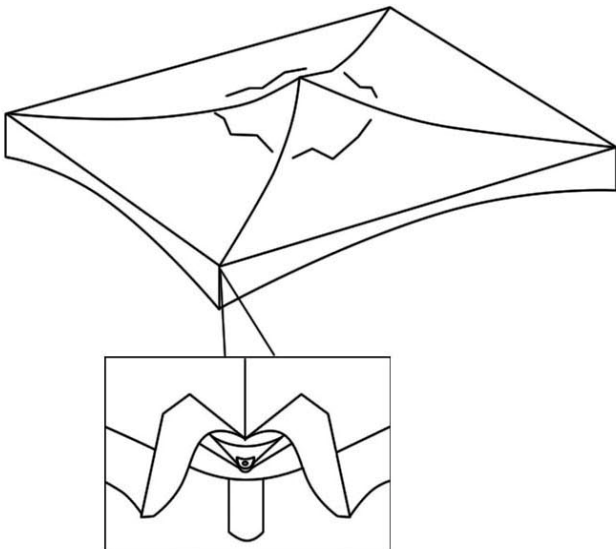
III: Install one cross cable.



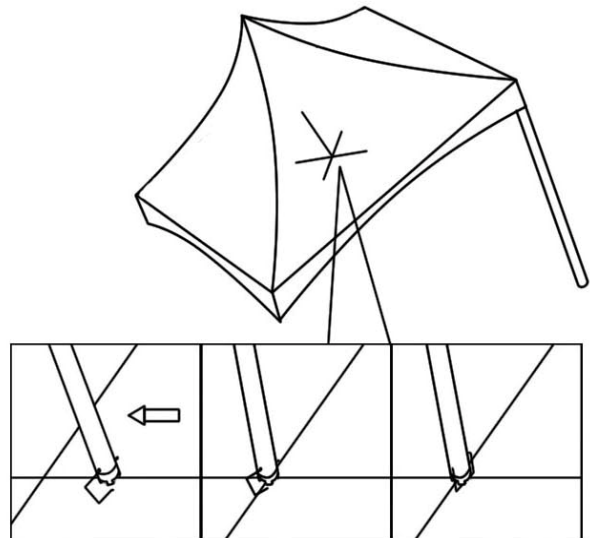
IV: Lift the left corner and suspend another cable.



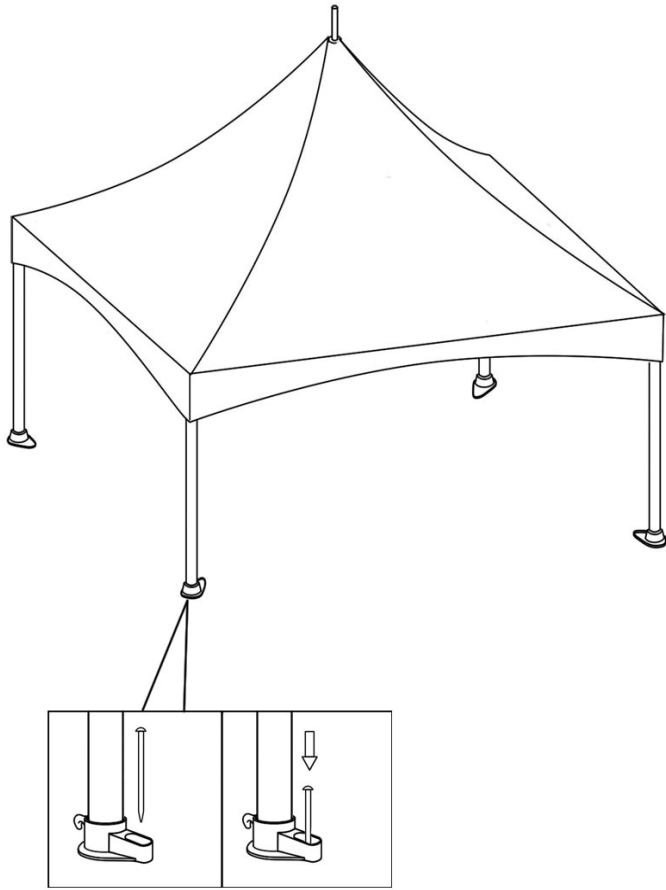
V: Assembly the roof cover, pull the corner with handle.



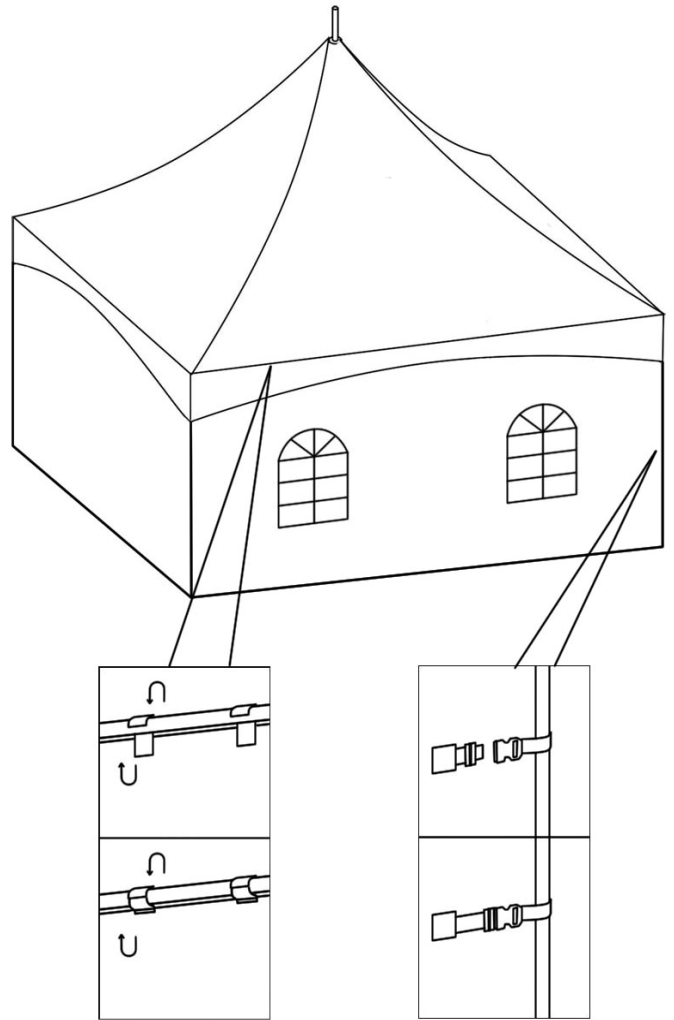
VI: Push the center pole upright.



VII: Insert all the legs to make the tent stand up.



VIII: Suspend all the sidewalls.



Note: use pegs to fix the tent on the ground

Note: use the buckles fix the sidewall on the frame

IX: Fasten the ratchet ropes and use the ratchet straps make the tent more stable.

