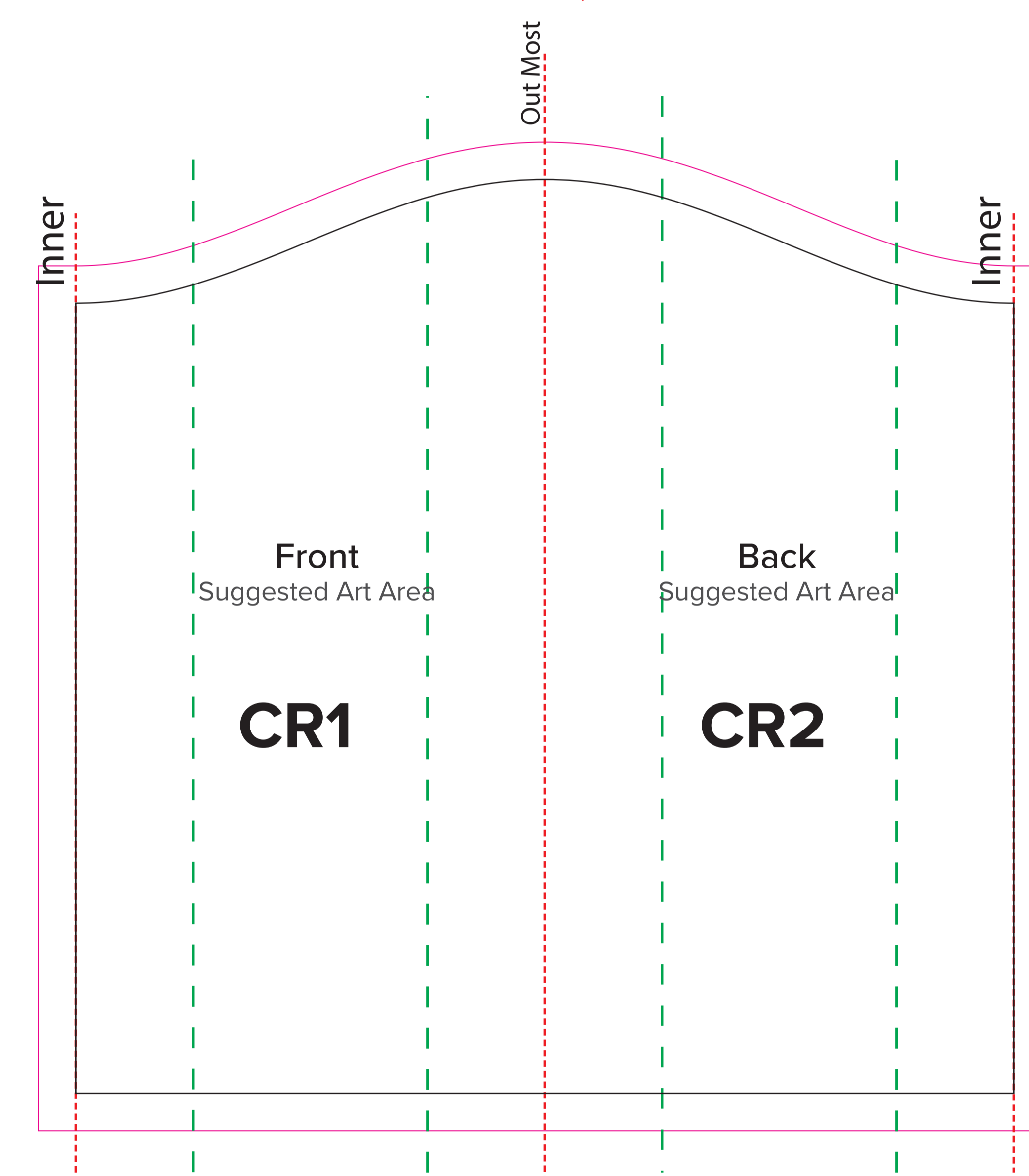
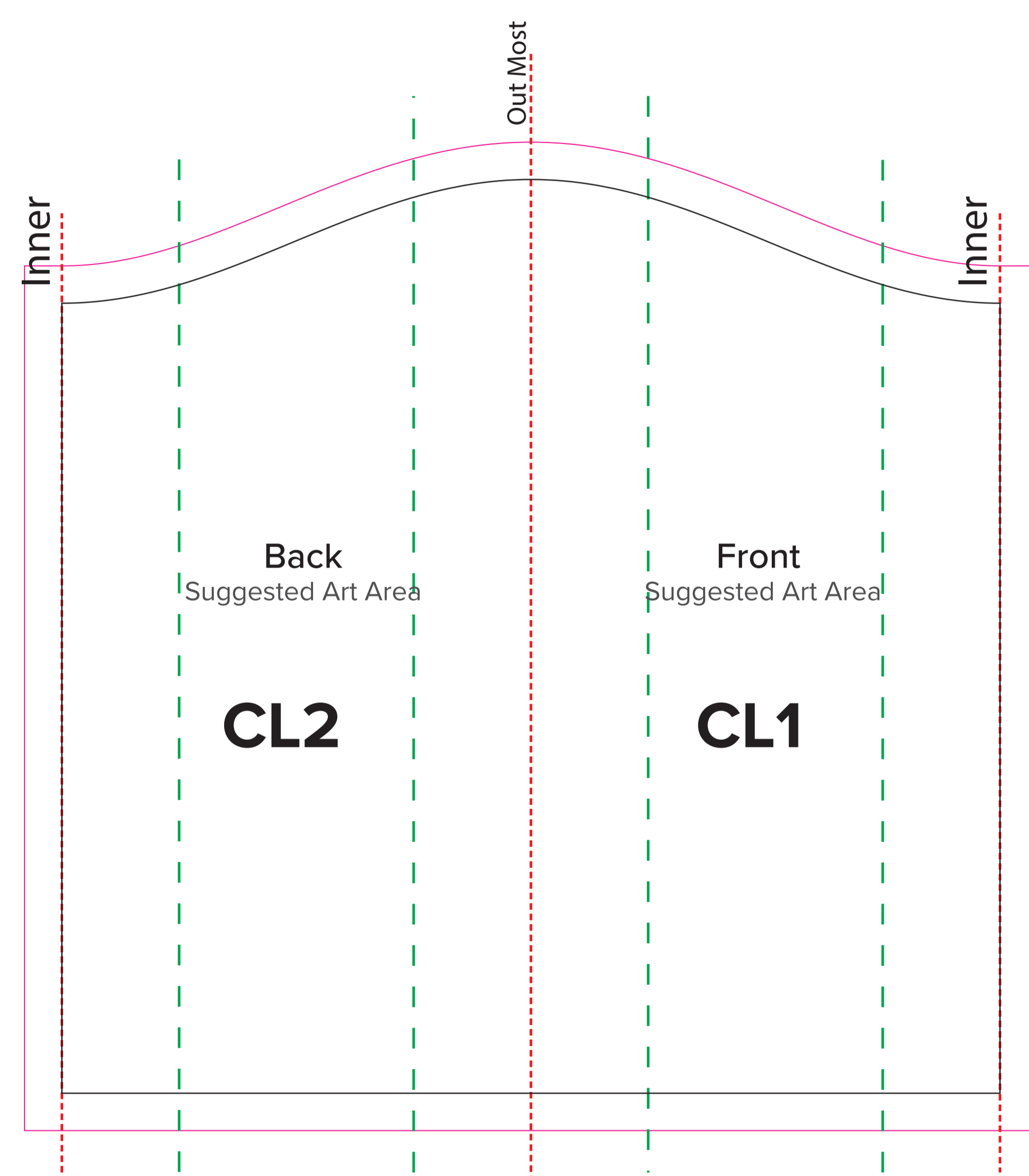
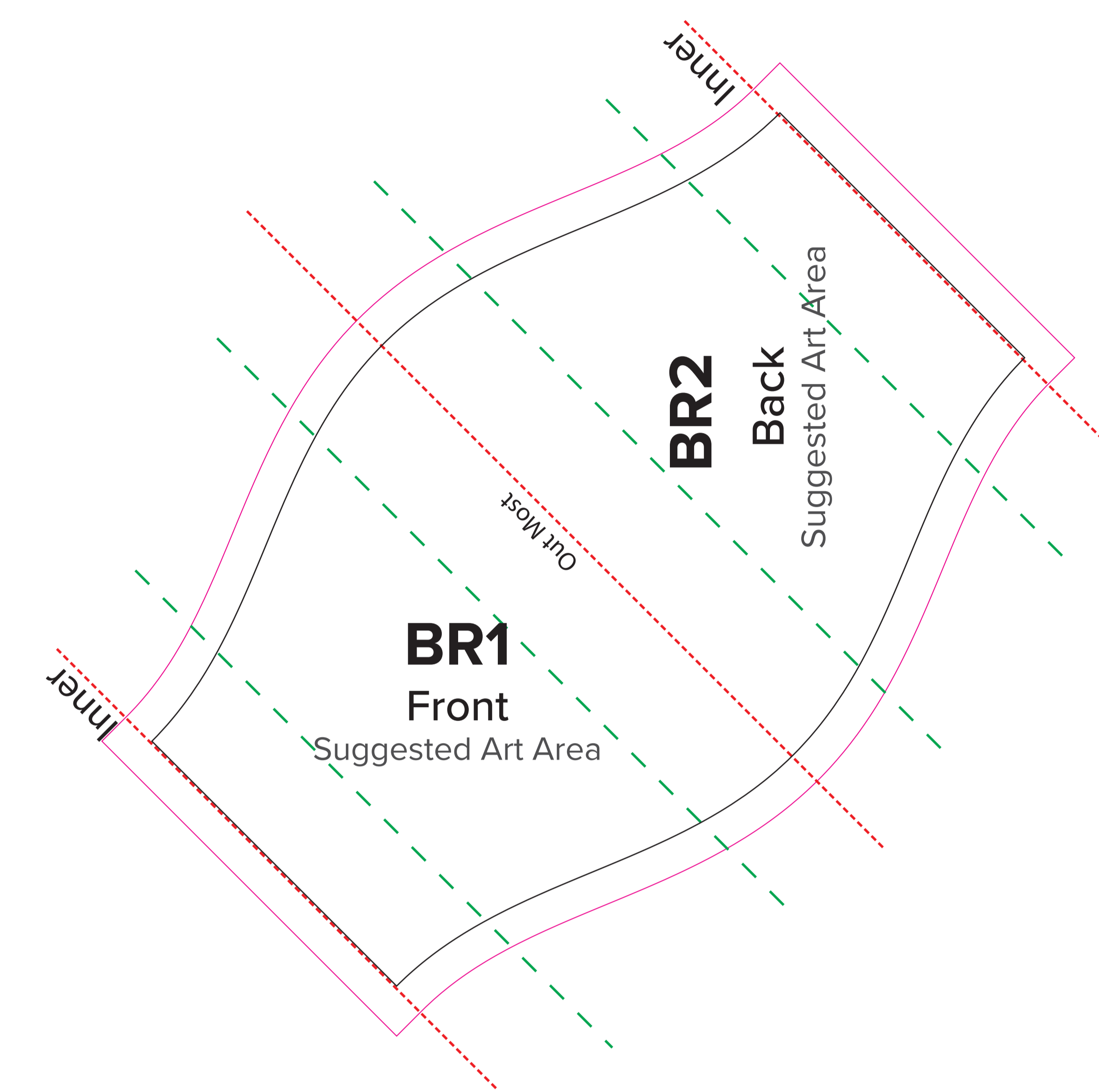
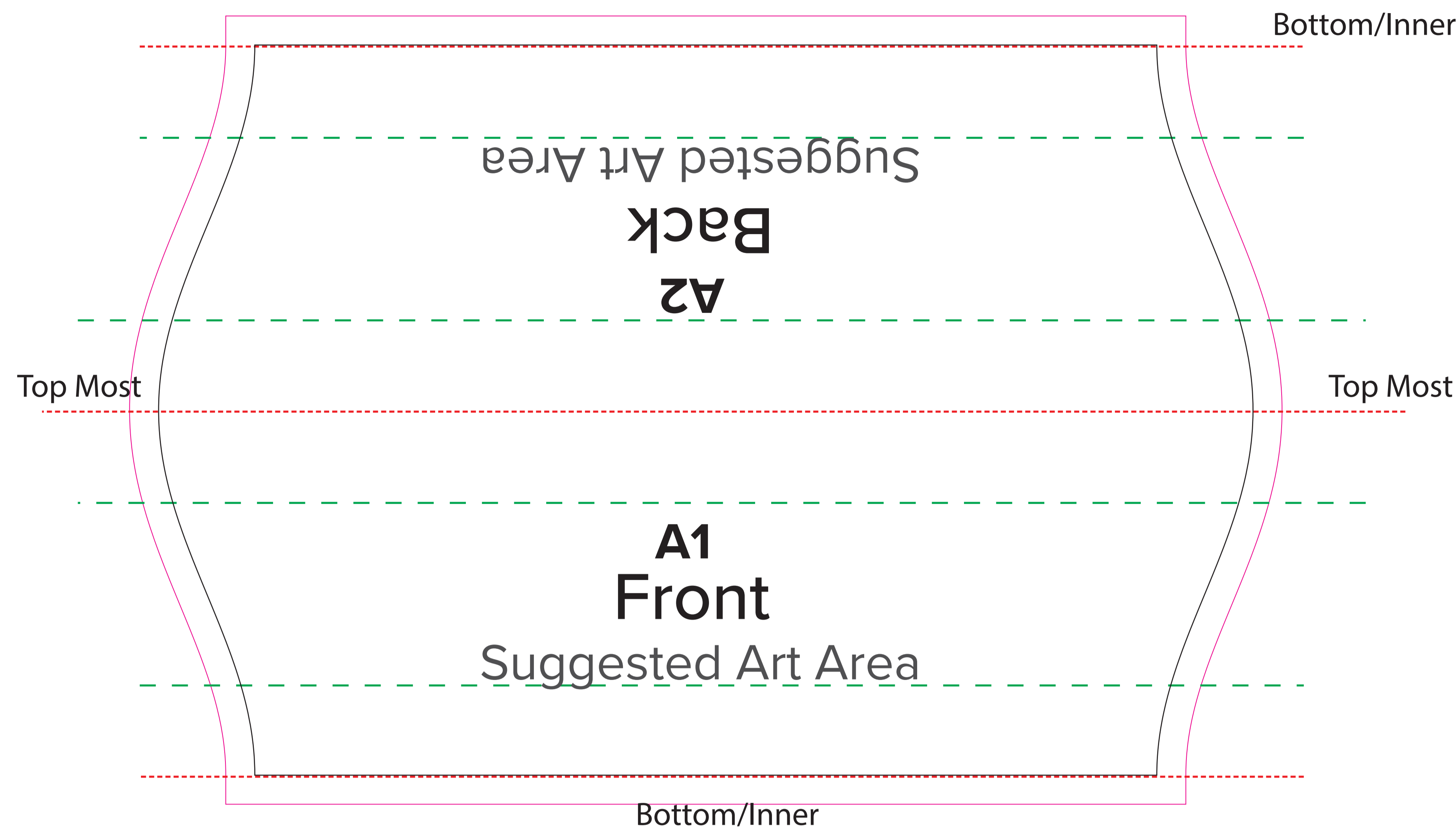
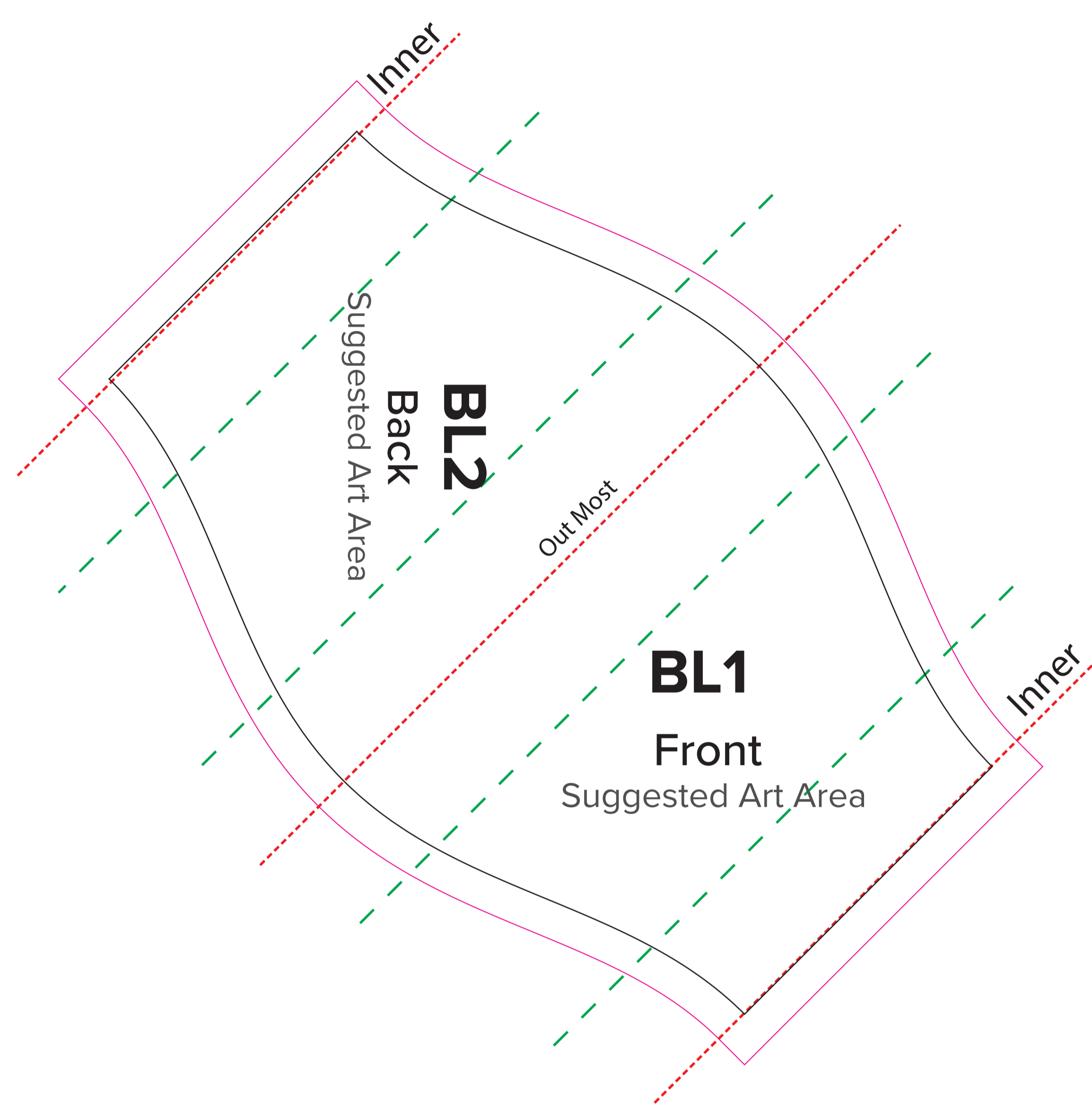


**SCALE 1/10  
OF ACTUAL SIZE**

**Arch - Airtight**  
20 ft x 12.5 ft 32"D

  
**90Lbs**



**Adobe Illustrator (Mac or PC)** - convert your fonts to outlines and save as native Illustrator format (.ai). Artwork should be in only vector format. Artwork should be in CMYK. **!!Preferred!!**

• Vector: Adobe ILLUSTRATOR CS6 or earlier versions: .AI, .EPS, or print ready .PDF files.

**Adobe Photoshop (Mac or PC)** - rasterize your fonts and save files as .psd (if you have layers) (or need transparency). Will also accept Photoshop EPS formats. Image resolution should be 150 dpi at 100% size the artwork is to be printed at. (or 300 dpi and 1/2 the actual size to be printed)

• Raster: Adobe PHOTOSHOP CS6 or earlier versions: .PSD, .TIFF, High res. .JPG or print ready .PDF files.

- All fonts need to be outlines in order to avoid any defaulted text
- Digital imaging will be output in CMYK process
- Use ZIP compression for multiple files

 Trim Line

Most of your artwork should be within this area

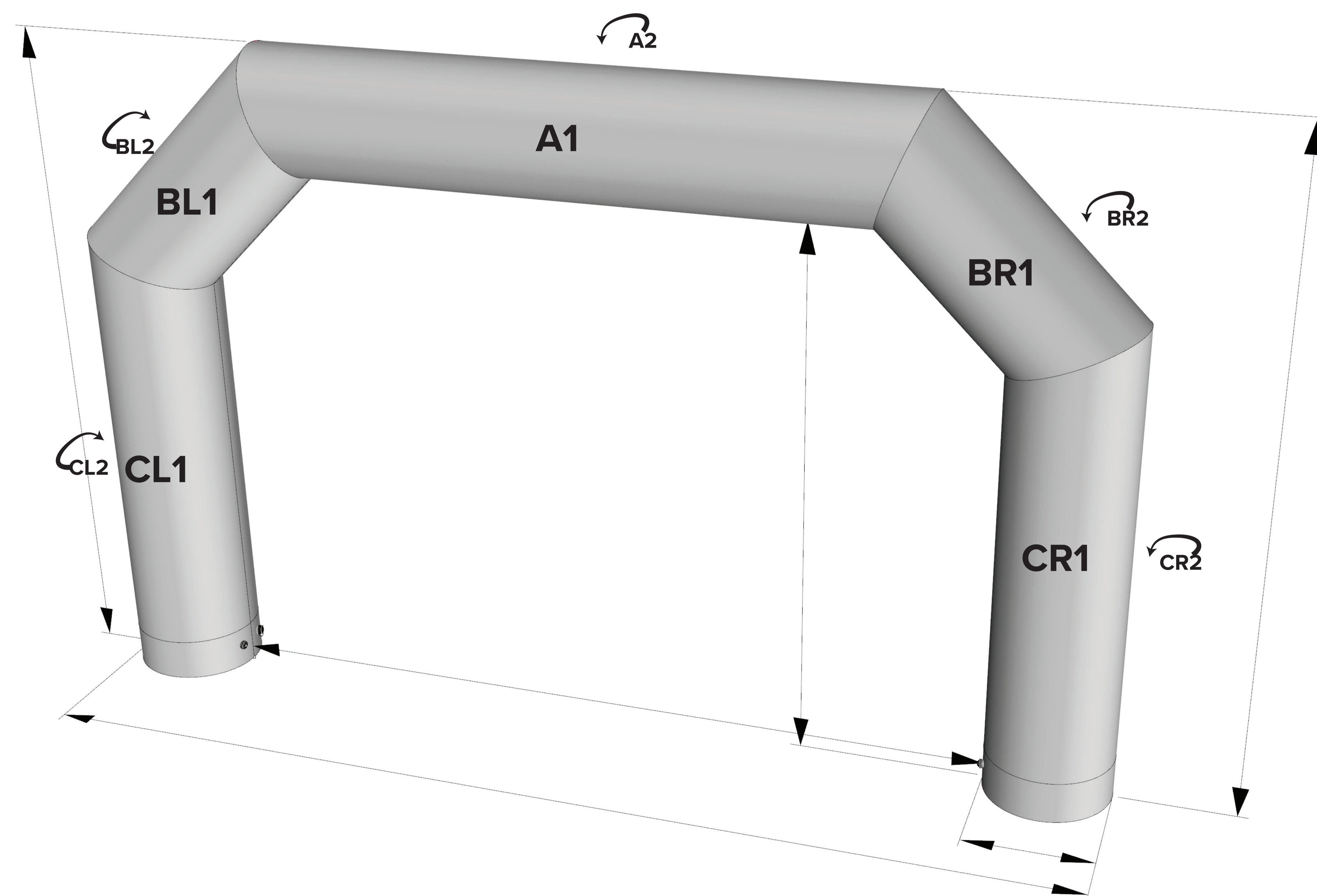
 Safe Guide

Important Art should be within this area

 Bleed

Area will not print

 Sewing Line

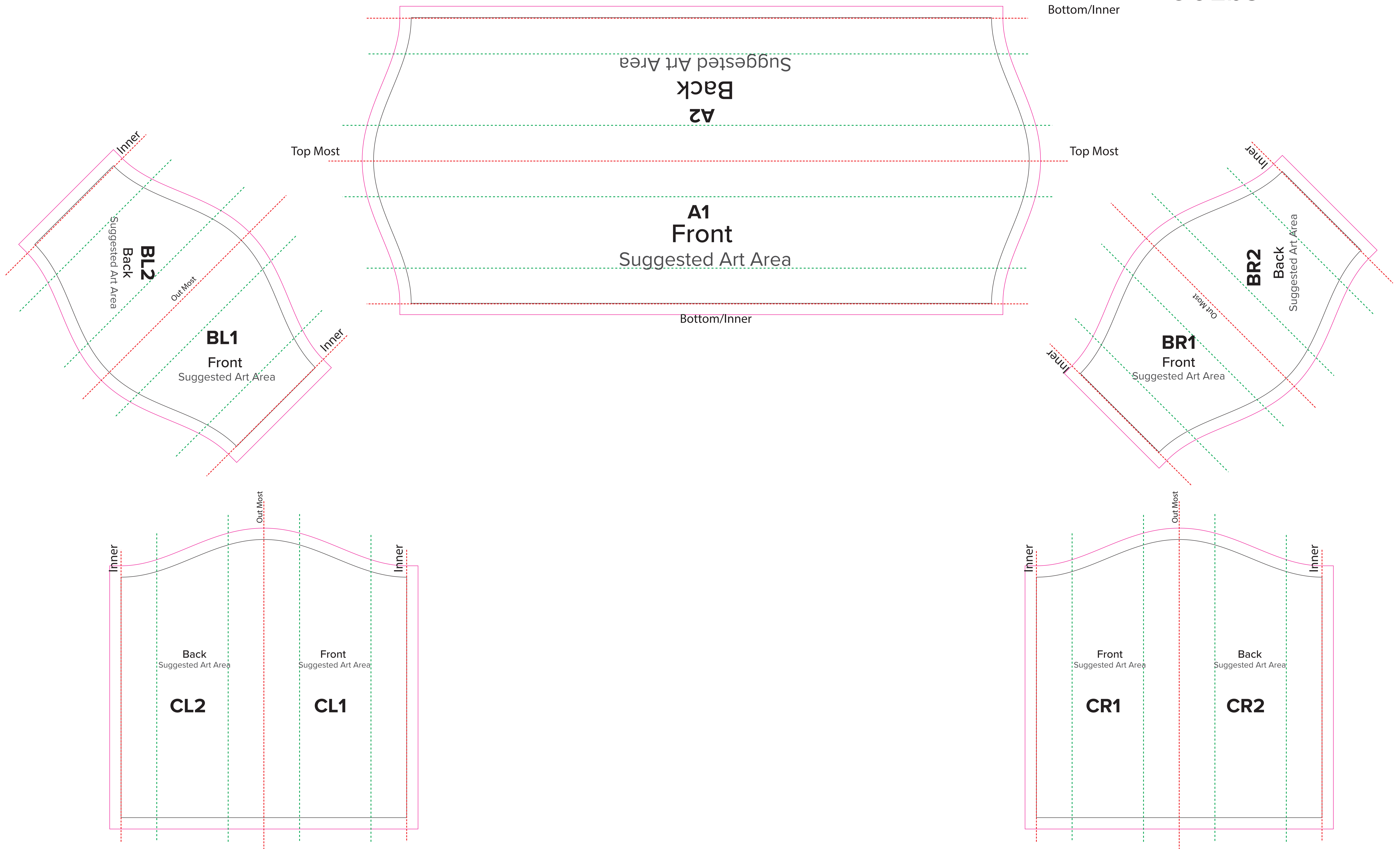


**SCALE 1/10  
OF ACTUAL SIZE**

# Arch - Airtight

26 ft x 12.5 ft

 Lbs  
**90Lbs**



**Adobe Illustrator (Mac or PC)** - convert your fonts to outlines and save as native Illustrator format (.ai). Artwork should be in only vector format. Artwork should be in CMYK. **!!Preferred!!**

• Vector: Adobe ILLUSTRATOR CS6 or earlier versions: .AI, .EPS, or print ready .PDF files.

**Adobe Photoshop (Mac or PC)** - rasterize your fonts and save files as .psd (if you have layers) (or need transparency). Will also accept Photoshop EPS formats. Image resolution should be 150 dpi at 100% size the artwork is to be printed at. (or 300 dpi and 1/2 the actual size to be printed)

• Raster: Adobe PHOTOSHOP CS6 or earlier versions: .PSD, .TIFF, High res. .JPG or print ready .PDF files.

- All fonts need to be outlines in order to avoid any defaulted text
- Digital imaging will be output in CMYK process
- Use ZIP compression for multiple files

 Trim Line

Most of your artwork should be within this area

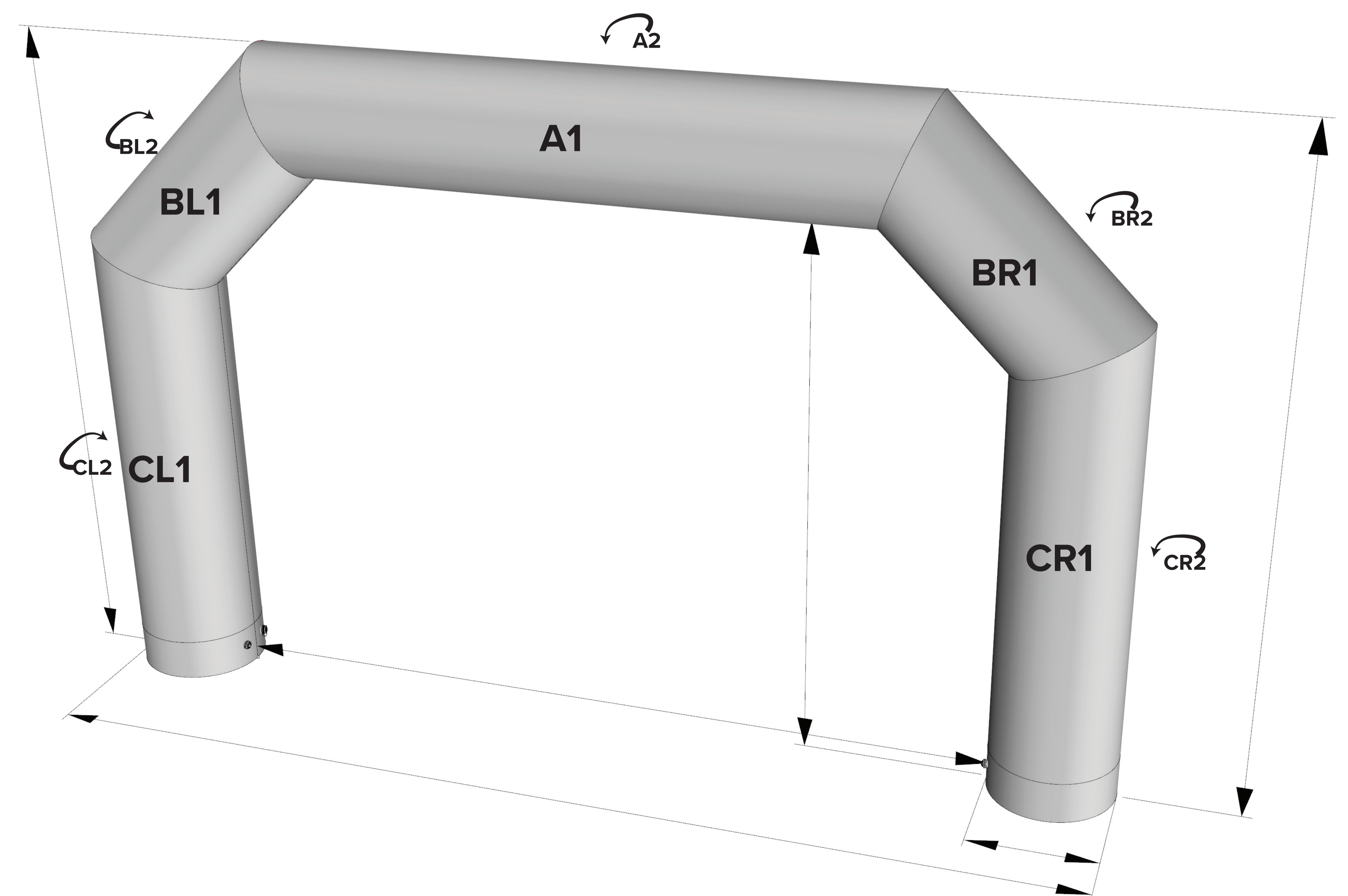
 Safe Guide

Important Art should be within this area

 Bleed

Area will not print

 Sewing Line



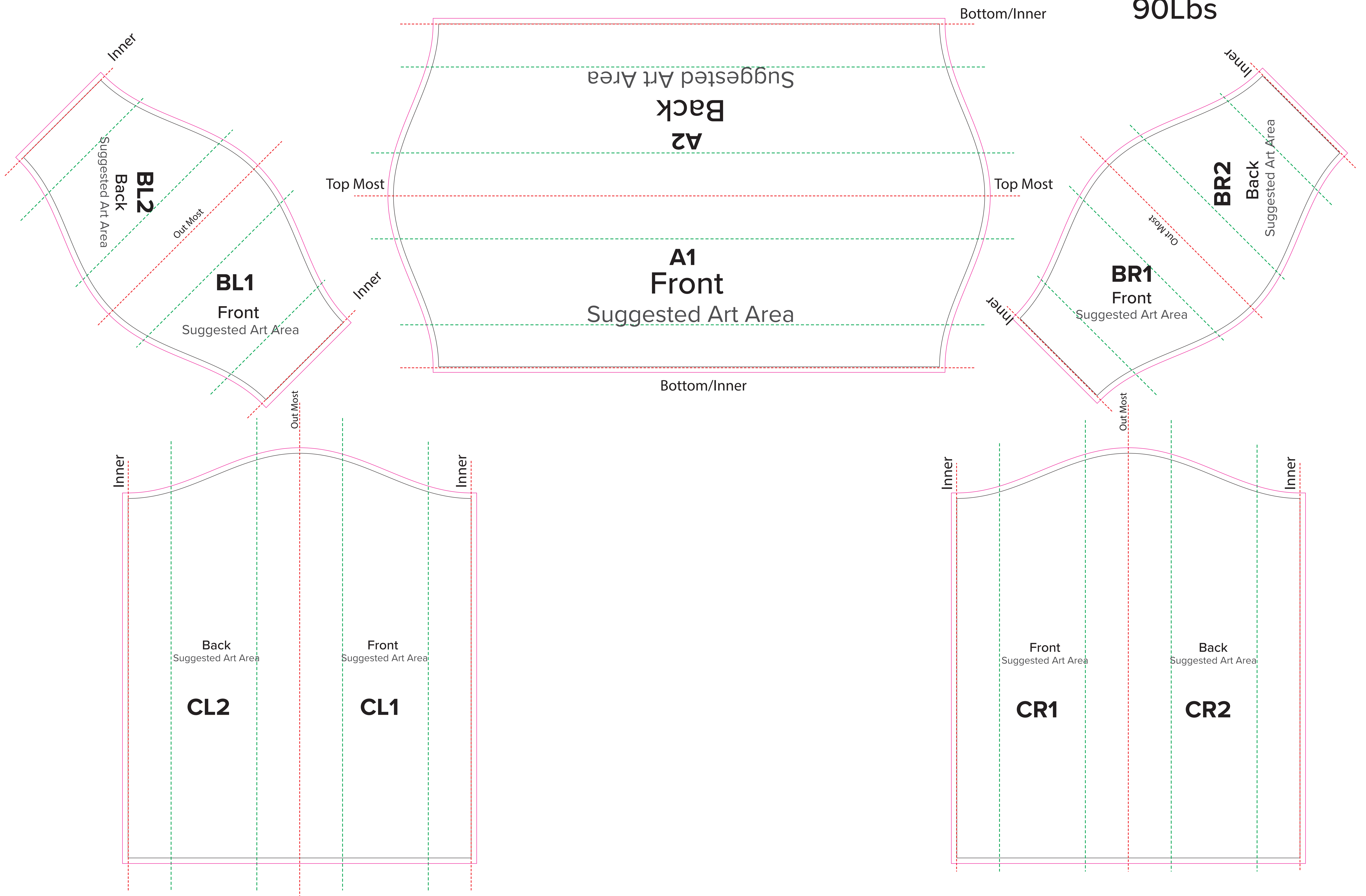
SCALE 1/10  
OF ACTUAL SIZE

# Arch - Airtight

26 ft x 16 ft



90Lbs



**Adobe Illustrator (Mac or PC)** - convert your fonts to outlines and save as native Illustrator format (ai). Artwork should be in only vector format. Artwork should be in CMYK. **!!Preferred!!**

• Vector: Adobe ILLUSTRATOR CS6 or earlier versions: .AI, .EPS, or print ready .PDF files.

**Adobe Photoshop (Mac or PC)** - rasterize your fonts and save files as .psd (if you have layers) (or need transparency). Will also accept Photoshop EPS formats. Image resolution should be 150 dpi at 100% size the artwork is to be printed at. (or 300 dpi and 1/2 the actual size to be printed)

• Raster: Adobe PHOTOSHOP CS6 or earlier versions: .PSD, .TIFF, High res. .JPG or print ready .PDF files.

• All fonts need to be outlines in order to avoid any defaulted text

• Digital imaging will be output in CMYK process  
• Use ZIP compression for multiple files

□ Trim Line  
Most of your artwork should be within this area

□ Safe Guide  
Important Art should be within this area

□ Bleed  
Area will not print

□ Sewing Line

